

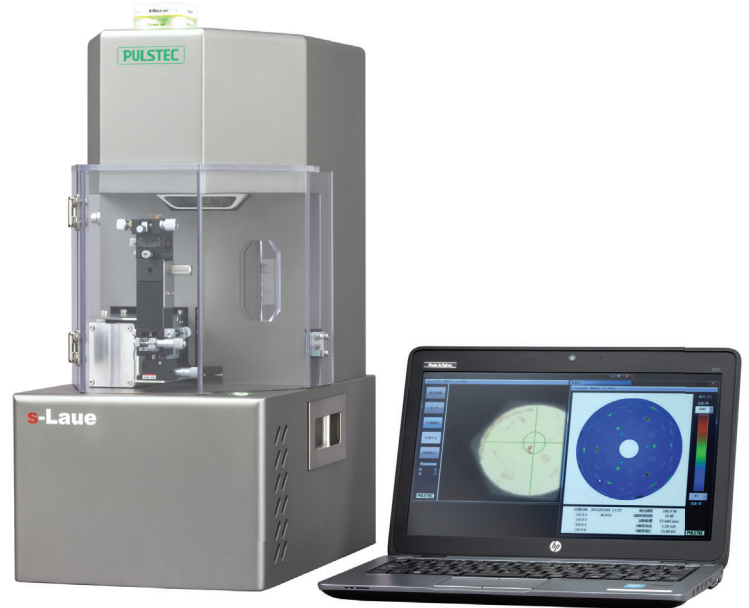
s-Laue Single Crystal Orientation System

Manufactured by Pulstec Industrial Co., Ltd.

Quantum Design introduces a benchtop single crystal orientation system manufactured by Pulstec Industrial Co., Ltd.

This is a unique design compared with traditional single crystal orientation systems consisting of an X-ray generator, cooling system, Laue camera, sample stage and safety enclosure.

This new design concept has all these functions in one unit, providing high efficiency for single crystal orientation work.



Key Features:

Benchtop & portable

Compact and lightweight, ideal for most workspaces.

Easy sample setting

Sample stage attachment and XYZ sample position adjustment via an integrated microscope and CCD camera.

Quick to measure single crystal orientation

Acquire Laue image within 80 seconds after sample has been set.

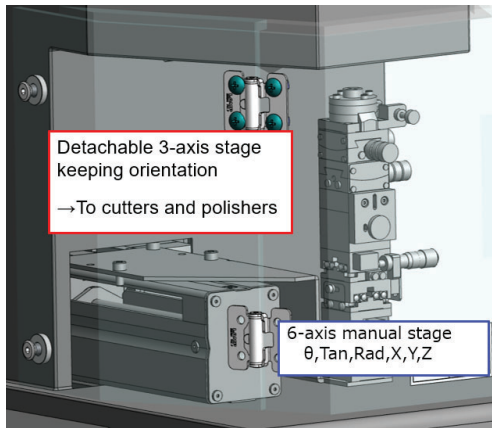
All-in-one unit

Air-cooled X-ray generator, high-sensitive detector, sample stage, and power supply in one compact unit.

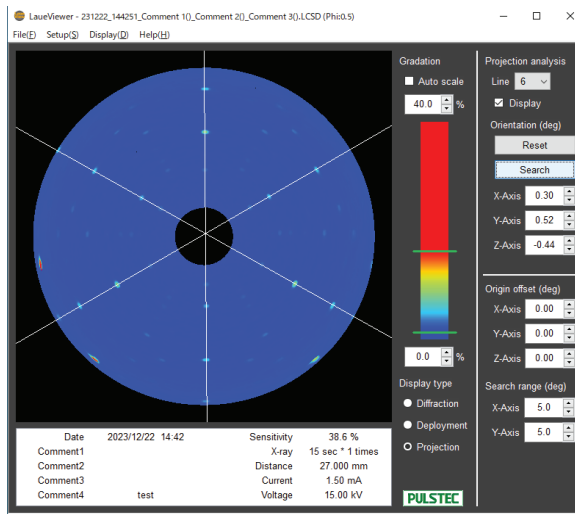
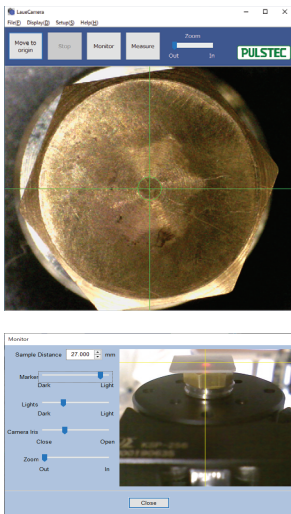
Safe X-ray operation

X-ray incidence is vertical downward, no safety box is required.

Sample Stage



Software



Specifications:

X-ray source	W (Tungsten)
Voltage/Current	30kV/1.5mA
Incident angle	0 degrees
Irradiation spot	ϕ 0.8mm
Measurement time	80secs
Sample distance	27mm
Sample stage	6 axis ($\Theta/\alpha/\beta$.X/Y/Z)
Power	AC100 to 240V,50/60Hz
Power consumption	150W max
Cooling	Air cooling
Dimension	W224mm x D414mm x H480mm
Weight	30kg
Software	X-ray control / sample stage / Laue image

April 2024
 Specifications subject to change.
 Distributed by:



10307 Pacific Center Court, San Diego, CA 92121
 Tel: +1-858-481-4400 • www.qdusa.com • info@qdusa.com

